

Панель доступа PS-C1EM

РУКОВОДСТВО



Внимательно прочтите данное руководство перед установкой и использованием устройства

1. Назначение

Устройство представляет собой автономный контроль доступа и считыватель бесконтактных карт, который поддерживает типы карт EM / MF (опция). В него встроен микропроцессор STC с высокой помехоустойчивостью, высокой безопасностью и надежностью, мощными функциями и удобным управлением. Он широко используется в частном секторе, жилых комплексах и различных общественных местах.

2. Главные особенности

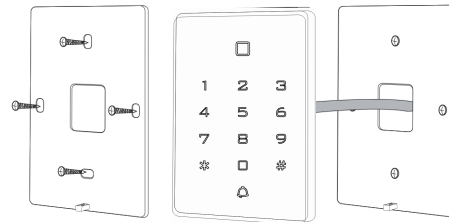
Энергосбережение	Ток в ожидании меньше 30мА
Wiegand интерфейс	WG26 или WG34
Поиск в памяти	Менее чем 0.1 сек
Подсветка клавиатуры	Удобство работы в темноте
Звонок	Поддержка внешнего звонка
Способы авторизации	RFID, Код, RFID+ код
Независимые коды	Используйте коды без карты
Смена кода	Юзеры могут изменять свои коды
Удаление по номеру	Удаление RFID с помощью клавиатуры

3. Спецификация

Питание: DC 12В (Возможность 24В DC)	Ток в ожидании: ≤30mA
Дистанция чтения RFID: 2 ~ 5см	Емкость: 2000 пользователей
Раб температура: -40°C~60°C	Раб влажность: 10%~90%
Нагрузка реле: ≤ 3А	Диапазон реле: 0 ~ 9сек (настройка)

4. Монтаж

- Снимите заднюю крышку панели с помощью стандартной отвертки. Просверлите в стене отверстия для саморезов и отверстие для кабеля.
- Прочно закрепите заднюю крышку на стене с помощью 2 саморезов.
- Пропустите кабель через отверстие для кабеля
- Прикрепите клавиатуру к задней крышке. (См. рисунок ниже)

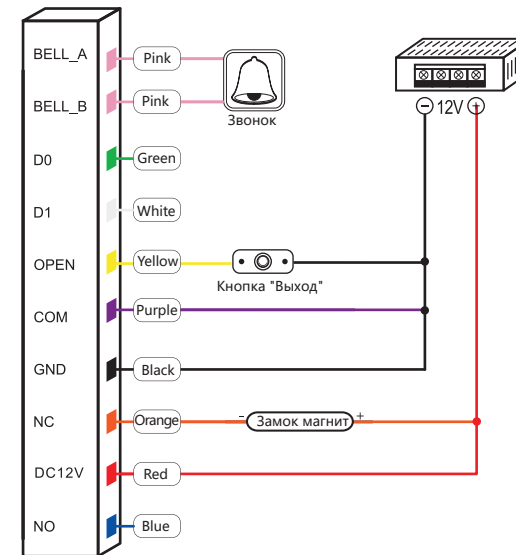


5. Обозначение проводов

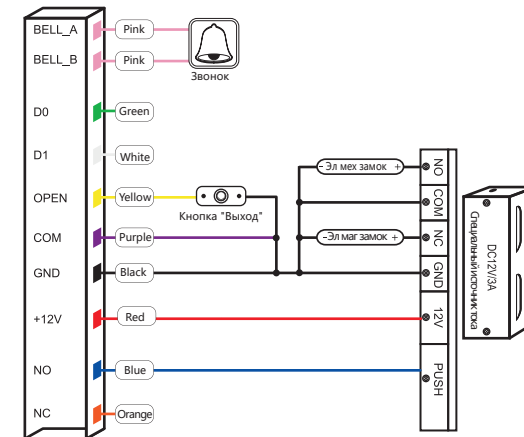
Цвет	Обозначение	Описание
Зеленый	D0	Вход Wiegand (выход режим считывателя)
Белый	D1	Вход Wiegand (выход режим считывателя)
Желтый	OPEN	Кнопка выход
Красный	+12V	Положительный выход источника постоянного тока
Черный	GND	Отрицательный выход источника постоянного тока
Синий	NO	Открытый контакт реле (НО)
Фиолет	COM	COM контакт реле
Orange	NC	Закрытый контакт реле (НЗ)
Розовый	BELL_A	Клемма кнопки дверного звонка первая
Розовый	BELL_B	Клемма кнопки дверного звонка вторая

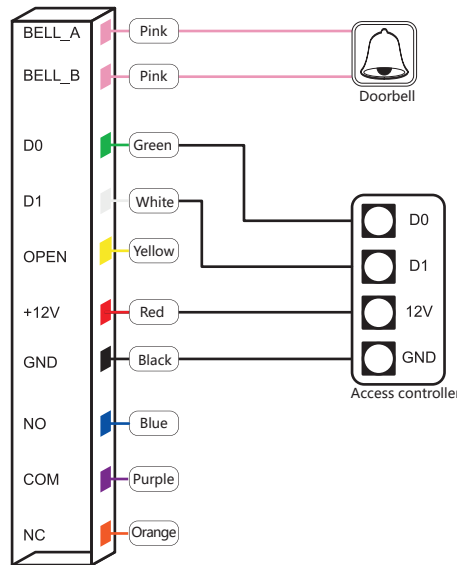
6. Схемы соединений

6.1 Стандартный источник тока



6.2 Специальный источник тока





7.Sound & Light indication

Operate Status	LED Light Color	Buzzer
Standby	Red	
Keypad		Beep
Operation Successful	Green	Beep-
Operation Failed		Beep-Beep-Beep
Entering into Programming	Flash Red Slowly	Beep-
Programmable Status	Orange	
Exit Programming	Red	Beep-
Door Opening	Green	Beep-

8. Advance setting

Add Users	Notes
Change Master code * Master code # 0 New code # New code #	Default factory master code is 999999.
Add card * Master code # 1 Read card # ... #	Cards can be added continuously
Add card number * Master code # 1 8 digits or 10 digits #	Card number can be added continuously
Add ID number+ card * Master code # 1 ID number # Read card #	Add user with specify ID number, easily find and delete.
Add ID number+ card number * Master code # 1 ID number # 8 digits or 10 digits #	Add user with specify ID number, easily find and delete.
Add PIN code * Master code # 1 ID number # 4 digits Pin code #	ID number is from 1-2000
Delete Users	
Delete card * Master code # 2 Read card or 8 digits or 10 digits #	Cards can be deleted continuously
Delete ID number * Master code # 2 ID number #	When the card is broken or lost, you can delete the user by ID number
Delete ALL users * Master code # 2 0000 #	Delete ALL PIN code & card users except public PIN code

Access ways		
By card	* Master code # 30 #	Only the card user could unlock the door, keypad is invalid
By card+ PIN code	* Master code # 31 #	To enable this function, the user PIN code has to be changed.
By card or PIN code	* Master code # 32 #	Both card user and PIN user could unlock the door (factory default)
Relay Output Delay Time		
Door relay strike time	* Master code # 4 0~99 #	Door opening time range: 0-99s Default 5s
Working Modes		
Standalone access control mode	* Master code # 50 #	The door will be locked automatically after open the door normally
Relay toggle mode	* Master code # 51 #	The door will not be locked automatically. To lock the door, the user has to read the card or press the exit button.
Reader mode	* Master code # 52 26/34 #	WG26/34 input and output
Bind a code to an invalid card	* Master code # 6 Read card 4 digits code #	When using card+code to unlock the door
Data Backup		
Data backup input	* Master code # 71 #	The device will receive the data.
Data backup output	* Master code # 70 #	Send the data to external device.
WiFi matching	* Master code # 73 #	WiFi match(optional)
Add public code	* Master code # 9 4 digits code #	Only one public code is available. Delete public code: * Master code # 9 #

Change the code by user card	* Read card New code # Repeat new Code #
Change the code by ID number added	* ID number # Old code # New code # Repeat new Code #
Reset to Factory Default	Users can reset to the factory default when the admin code is forgotten, or the default settings have been modified, operation as below: Method 1: Power off, power on, when the indicator light turn orange, press the # key, swipe the first card as for admin add card, swipe the second card as for admin delete card, on hearing tick tick-tick sound thrice, the admin code has been reset to 999999, factory default settings is successful. Method 2: Power off, press the exit button continuously, power on, sound "tick-tick" twice, then release hand, the indicator light turns orange, if need to register admin cards, pls swipe the first card as for admin add card, swipe the second card as for admin delete card within 10s, if not, sound "tick-" once after 10s, the admin code has been reset to 999999, factory default settings is successful,

9.Master Card Operation

9.1 Add Card

Read master add card Read the 1st user card Read the 2nd user card ...

Read master add card

Note: The master add card is used to add card users continuously and quickly. When you read the master add card at the first time, you will hear short "BEEP" sound twice and the indicator light turns orange, it means you have entered into add user programming. When you read the master add card at the second time, you will hear long "BEEP" sound once and the indicator light turns red, it means you have exited the add user programming.

9.2 Delete Card

Read master delete card Read the 1st user card Read the 2nd user card ...

Read master delete card

Note: The master delete card is used to delete card users continuously and quickly. When you read the master delete card at the first time, you will hear short "BEEP" sound twice and the indicator light turns orange, it means you have entered into delete user programming. When you read the master delete card at the second time, you will hear long "BEEP" sound once, the indicator light turns red, it means you have exited the delete user programming.

10.Data Backup Operation

Example: Backup the data of machine A to machine B

The green wire and white wire of machine A connects with the green wire and white wire of machine B correspondingly, set B for receiving mode at first, then set A for sending mode, the indicator light turns green flash during the data backup, data backup is successful when indicator light turns red.

* |Master code| # |71| # Set B for receiving mode firstly

* |Master code| # |70| # Set A for sending mode secondly